
**SECTION 00100
ADVERTISEMENT FOR BIDS**

Bid Date:	<u>November 3, 2009</u>	Project No	<u>S207-09-82</u>
Project Name:	<u>SR 34 Sewer System Extension - Phase II</u>	Technical Contact:	<u>David Smith</u>
Date of Issue:	<u>Octoberber 1, 2009</u>	Estimated Project Cost:	<u>\$1,000,000.00</u>

OWNER

Coweta County Water & Sewerage Authority
230 East Newnan Road
Newnan, Georgia 30263
770-254-3710 Phone
770-683-6441 Fax

ENGINEER

Stevenson & Palmer Engineering, Inc.
2430 Herodian Way, Suite 101
Smyrna, GA 30080
770-952-2481 Phone
770-955-1064 Fax

The Coweta County Water & Sewerage Authority, Georgia will be receiving separate sealed Bids for all material, labor and equipment for the “**SR 34 Sewer System Extension - Phase II**”. This includes approximately **3,676 linear feet of 10" gravity sewer, 14,382 linear feet of 8" force main and one (1) duplex pump station** complete with all related accessories as shown on the plans and called for in the Contract Documents and Technical Specifications. Bids shall be on Unit Price Items.

The project shall be Substantially Complete within 180 calendar days from the date of notice to proceed of the contract.

The Coweta County Water & Sewerage Authority will receive bids until **2:00 p.m. on November 3, 2009** at **230 East Newnan Road, Newnan, Georgia 30263**. Bids received after this time will not be accepted. Bids will be opened and publicly read aloud. All interested parties are invited to attend.

Contract Documents may be examined at the following locations:

Coweta County Water & Sewerage Authority, 230 East Newnan Road, Newnan, Georgia 30263
Stevenson & Palmer Engineering, Inc. 2430 Herodian Way, Suite, 101, Smyrna, Georgia 30080
Dodge Plan Room, 1750 Enterprise Way Ste 103, Marietta, GA 30067
Dodge Plan Room, 1281 Broad Street, Augusta, GA 30901
AGC Builder’s Exchange, 1940 The Exchange, Suite 300, Marietta, GA 30339
Reed Construction Data, 30 Technology Parkway S., Suite 100 Norcross, GA 30092

Copies of the Bidding Documents, Specifications and Drawings may be obtained from the office of Stevenson & Palmer Engineering, Inc., upon non-refundable payment of **\$150.00**.

Each BIDDER must deposit with his bid, security in the amount of 5%, and shall be subject to the conditions provided in Section 00200 “INSTRUCTION TO BIDDERS.”

No BIDDER may withdraw his bid within sixty (60) days after the date of Bid opening.

Each Bidder is required to submit a “Bid form”, “Bid Bond”, “Form of Qualification of Bidder”, “Non-Collusion Affidavit” and “Immigration and Security Form” as outlined in Section 00250.

This contract is Locally funded.

The **Coweta County Water & Sewerage Authority** reserves the right to waive any informalities or to reject any or all bids and to re-advertise.

Visit <http://www.speng.com> for a list of plan holders on this project. Then click on “Bids & Projects” to view a project out for bid.

END OF SECTION

ADDENDUM No. 1

**COWETA COUNTY WATER & SEWERAGE AUTHORITY
S.R. 34 SEWER SYSTEM EXTENSION – PHASE II
COWETA COUNTY, GEORGIA**

**BID DATE: NOVEMBER 3, 2009
TIME: 2:00 P.M.**

Date: October 26, 2009

PLEASE MAKE THE FOLLOWING CHANGES TO THE CONTRACT DOCUMENTS:

1. SECTION 00410, BID FORM: **Delete** entire Section 00410 and **replace with revised attached Section 00410.**

PLEASE MAKE THE FOLLOWING CHANGES TO THE CONTRACT DRAWINGS:

1. Please see attached Sheets No. 8-16 and 21.
2. Sheet No. 8-15: Corrected SR 34 profile grade and force main depth.
3. Sheet No. 9: Add ARV valve at Sta. 90+10.
4. Sheet No. 11-13: Removed 1,500 L.F. of 8” force main from project. A Horizontal Direction Bore will be (By Others). Pipe will be bid in Alternate Bid No. 2 – Pipe Only Proposal.
5. Sheet No. 14 & 15: Add proposed grading, entrances and storm drains (By Others).
6. Sheet No. 16: Add (St) to 18” crossdrain at pump station access road.
7. Sheet No. 21: Add Inspection and Retention of Records notes for NPDES Permit.
8. Conformed sets of drawings will be issued to the Contractor after award for construction.

END OF ADDENDUM No. 1

**SECTION 00410
BID FORM**

TABLE OF ARTICLES

<u>Article No.</u>	<u>Page No.</u>
ARTICLE 1 – BID RECIPIENT	2
ARTICLE 2 – BIDDER’S ACKNOWLEDGMENTS	2
ARTICLE 3 – BIDDER’S REPRESENTATIONS	2
ARTICLE 4 – FURTHER REPRESENTATIONS	4
ARTICLE 5 – BASIS OF BID	4
ARTICLE 6 – TIME OF COMPLETION	5
ARTICLE 7 – ATTACHMENTS TO THIS BID.....	5
ARTICLE 8 – DEFINED TERMS	5
ARTICLE 9 – BID SUBMITTAL.....	5

ARTICLE 1 – BID RECIPIENT

1.01 BID RECIPIENT

This Bid is submitted to: Coweta County Water & Sewerage Authority
230 East Newnan Road
Newnan, Georgia 30263

This Bid is Submitted From: _____

(Name and Address of Individual, Partnership, or Corporation)

Georgia Utility Contractor No. (if applicable)

This Bid is for: SR 34 Sewer System Extension - Phase II
November 3, 2009 2:00pm
(Date) (Time)

1.02 The undersigned Bidder proposes and agrees, if this Bid is accepted, to enter into an Agreement with Owner in the form included in the Bidding Documents to perform all Work as specified or indicated in the Bidding Documents for the prices and within the times Indicated in this Bid and in accordance with the other terms and conditions of the Bidding Documents.

ARTICLE 2 – BIDDER’S ACKNOWLEDGMENTS

2.01 Bidder accepts all of the terms and conditions of the Instructions to Bidders, including without limitation those dealing with the disposition of Bid security. This Bid will remain subject to acceptance for 60 days after the Bid opening, or for such longer period of time that Bidder may agree to in writing upon request of Owner.

ARTICLE 3 – BIDDER’S REPRESENTATIONS

3.01 In submitting this Bid, Bidder represents that:

A. Bidder has examined and carefully studied the Bidding Documents, the other related data identified in the Bidding Documents, and the following Addenda, receipt of which is hereby acknowledged.

Addendum No.

1

Addendum Date

October 26, 2009

- B. Bidder has visited the Site and become familiar with and is satisfied as to the general, local and Site conditions that may affect cost, progress, and performance of the Work.
- C. Bidder is familiar with and is satisfied as to all federal, state and local laws and regulations that may affect cost, progress and performance of the Work.
- D. Bidder has carefully studied all reports (if applicable) of explorations and tests of subsurface conditions at or contiguous to the Site and all drawings of physical conditions in or relating to existing surface or subsurface structures at or contiguous to the Site (except Underground Facilities) which have been identified and reports and drawings of Hazardous Environmental Conditions that have been identified in SC-4.06.
- E. Bidder has obtained and carefully studied (or accepts the consequences for not doing so) all additional or supplementary examinations, investigations, explorations, tests, studies and data concerning conditions (surface, subsurface and Underground Facilities) at or contiguous to the Site which may affect cost, progress, or performance of the Work or which relate to any aspect of the means, methods, techniques, sequences, and procedures of construction to be employed by Bidder, including applying the specific means, methods, techniques, sequences, and procedures of construction expressly required by the Bidding Documents to be employed by Bidder, and safety precautions and programs incident thereto.
- F. Bidder does not consider that any further examinations, investigations, explorations, tests, studies, or data are necessary for the determination of this Bid for performance of the Work at the price(s) bid and within the times and in accordance with the other terms and conditions of the Bidding Documents.
- G. Bidder is aware of the general nature of work to be performed by Owner and others at the Site that relates to the Work as indicated in the Bidding Documents.
- H. Bidder has correlated the information known to Bidder, information and observations obtained from visits to the Site, reports and drawings identified in the Bidding Documents, and all additional examinations, investigations, explorations, tests, studies, and data with the Bidding Documents.
- I. Bidder has given Engineer written notice of all conflicts, errors, ambiguities, or discrepancies that Bidder has discovered in the Bidding Documents, and the written resolution thereof by Engineer is acceptable to Bidder.

- J. The Bidding Documents are generally sufficient to indicate and convey understanding of all terms and conditions for the performance of the Work for which this Bid is submitted.
- K. Bidder will submit written evidence of its authority to do business in the state where the Project is located not later than the date of its execution of the Agreement.

ARTICLE 4 – FURTHER REPRESENTATIONS

4.01 Bidder further represents that:

- A. This Bid is genuine and not made in the interest of or on behalf of any undisclosed individual or entity and is not submitted in conformity with any agreement or rules of any group, association, organization or corporation;
- B. Bidder has not directly or indirectly induced or solicited any other Bidder to submit a false or sham Bid;
- C. Bidder has not solicited or induced any individual or entity to refrain from bidding; and
- D. Bidder has not sought by collusion to obtain for itself any advantage over any other Bidder or over Owner.

ARTICLE 5 – BASIS OF BID

5.01 Bidder will complete the Work in accordance with the Contract Documents for the following price(s):

UNIT PRICE BASE BID PROPOSAL
SR 34 Sewer System Extension - Phase II

PART 1

<u>Item</u>	<u>ESTIMATED</u>	<u>UNIT OF</u>	<u>UNIT</u>	<u>TOTAL</u>
<u>No. DESCRIPTION</u>	<u>QUANTITY</u>	<u>MEASURE</u>	<u>PRICE</u>	<u>PRICE</u>
GRAVITY SEWER SYSTEM				
1. 10" SDR 26 PVC				
a. 0'-6' Depth	709	L.F.	_____	_____
b. 6'-8' Depth	585	L.F.	_____	_____
c. 8'-10' Depth	626	L.F.	_____	_____
d. 10'-12' Depth	708	L.F.	_____	_____
e. 12'-14' Depth	194	L.F.	_____	_____

PART 1

Item No.	DESCRIPTION	ESTIMATED QUANTITY	UNIT OF MEASURE	UNIT PRICE	TOTAL PRICE
GRAVITY SEWER SYSTEM					
2.	10" PC 350 DIP (SewperCoat)				
a.	8'-10' Depth	74	L.F.		
b.	14'-16' Depth	131	L.F.		
c.	16'-18' Depth	39	L.F.		
3.	10" PC 350 Rest. Jt. DIP (In Casing) (SewperCoat)	480	L.F.		
4.	10" PC 350 Rest. Jt. DIP (SewperCoat)				
a.	6'-8' Depth	23	L.F.		
b.	8'-10' Depth	78	L.F.		
c.	10'-12' Depth	29	L.F.		
5.	16" Welded Steel Casing (Jack & Bore/Open Trench)	480	L.F.		
6.	Standard 4' Diameter Manhole 0-6' w/Invert	14	EA.		
7.	Extra Depth for Standard 4' Manhole	50.6	V.F.		
8.	Standard 4' Diameter Manhole (Outside Drop)	2	EA.		
9.	Standard Manhole Frame and Cover	16	EA.		
10.	Stabilization Stone	35	Tons		
11.	Rock Blasting and Excavation (Includes PS "C")	270	C.Y.		
12.	Uncased Bore	115	L.F.		
FORCE MAIN SYSTEM					
13.	8" PC 150 C909 PVCO (FM)	11,172	L.F.		
14.	8" PC 350 Rest. Jt. DIP (In Casing) (SewperCoat) (FM)	820	L.F.		
15.	8" PC 350 Rest. Jt. DIP (SewperCoat) (FM)	650	L.F.		
16.	8" DR 11 DIPS HDPE Horizontal Directional Drilling (Sta. 120+78 to Sta. 123+18)	240	L.F.		
17.	16" Welded Steel Casing (Jack & Bore/Open Trench)	820	L.F.		
18.	Air Release/Vacuum Valve w/ Manhole	6	EA.		
19.	Cast Iron Specials	2.6	Tons		
20.	Rock Blasting and Excavation	640	C.Y.		
21.	Stabilization Stone	150	Tons		
22.	Pressure Testing	12,882	L.F.		
23.	Uncased Bore	701	L.F.		
WATER SYSTEM					
24.	1" Type "K" Copper Service Line	212	L.F.		
25.	2" PVC Casing (HDD)	200	L.F.		

PART 1

MISCELLANEOUS

26. Remove and Replace Fencing (All Types)	100	L.F.	_____	_____
27. Remove/Replace Asphalt or Concrete Pavement or Conc. Flume	160	L.F.	_____	_____
28. Inlet Sediment Traps (Sd2-F and Sd2-P)	5	EA.	_____	_____
29. Stone Check Dam (Cd-S)	15	EA.	_____	_____
30. Hay Bale Check Dam (Cd-Hb)	8	EA.	_____	_____
31. Channel Stabilization (Ch-Rp)	100	Tons	_____	_____
32. Construction Exit (Co)	1	EA.	_____	_____
33. Grassing, Sodding, Planting and Mulching (Ds1, Ds2, Ds3 & Ds4)	15,280	L.F.	_____	_____
34. Erosion Control Matting and Blankets (Mb)	4,900	S.Y.	_____	_____
35. Silt Fence Type "A" (Sd1)	6,450	L.F.	_____	_____
36. Silt Fence Type "C" (Sd1)	850	L.F.	_____	_____
37. Hay Bale (Sd1-Hb)	30	EA.	_____	_____
38. Storm Outlet Protection (St)	15	Tons	_____	_____
39. Automatic Storm Water Sampler for NPDES	4	EA.	_____	_____
40. Monitoring, Record Keeping & Reporting for NPDES	1	L.S.	_____	_____

SUBTOTAL PART 1 BASE BID _____
In Figures

In Words

PART 2

Item No. DESCRIPTION	ESTIMATED QUANTITY	UNIT OF MEASURE	UNIT PRICE	TOTAL PRICE
41. Pump Station "C" - Complete as shown	1	L.S.	_____	_____

SUBTOTAL PART 2 BASE BID _____
In Figures

In Words

TOTAL PART 1 & PART 2 BASE BID _____
In Figures

In Words

PART 3 - Alternate Bid Force Main System for Item No. 13

Item No. DESCRIPTION	ESTIMATED QUANTITY	UNIT OF MEASURE	UNIT PRICE	TOTAL PRICE
13. 8" C900 DR 18 PVC Force Main	11,172	L.F.	_____	_____

TOTAL PART 1 AND PART 3 ALTERNATE BASE BID _____
In Figures

Exclude Item No. 13 from Part 1 Base Bid and add
Item No. 13 from Part 3 Alternate Bid for new total.

UNIT PRICE ALTERNATE No. 1 (LABOR ONLY ON SELECTED PIPE) BID PROPOSAL
SR 34 Sewer System Extension - Phase II

<u>Item No.</u>	<u>DESCRIPTION</u>	<u>ESTIMATED QUANTITY</u>	<u>UNIT OF MEASURE</u>	<u>UNIT PRICE</u>	<u>TOTAL PRICE</u>
GRAVITY SEWER SYSTEM					
1.	10" SDR 26 PVC (Labor Only)				
a.	0'-6' Depth	709	L.F.	_____	_____
b.	6'-8' Depth	585	L.F.	_____	_____
c.	8'-10' Depth	626	L.F.	_____	_____
d.	10'-12' Depth	708	L.F.	_____	_____
e.	12'-14' Depth	194	L.F.	_____	_____
2.	10" PC 350 DIP (SewperCoat) (Labor Only)				
a.	8'-10' Depth	74	L.F.	_____	_____
b.	14'-16' Depth	131	L.F.	_____	_____
c.	16'-18' Depth	39	L.F.	_____	_____
3.	10" PC 350 Rest. Jt. DIP (In Casing) (SewperCoat) (Labor Only)	480	L.F.	_____	_____
4.	10" PC 350 Rest. Jt. DIP (SewperCoat) (Labor Only)				
a.	6'-8' Depth	23	L.F.	_____	_____
b.	8'-10' Depth	78	L.F.	_____	_____
c.	10'-12' Depth	29	L.F.	_____	_____
5.	16" Welded Steel Casing (Jack & Bore/Open Trench)	480	L.F.	_____	_____
6.	Standard 4' Diameter Manhole 0-6' w/Invert	14	EA.	_____	_____
7.	Extra Depth for Standard 4' Manhole	50.6	V.F.	_____	_____
8.	Standard 4' Diameter Manhole (Outside Drop)	2	EA.	_____	_____
9.	Standard Manhole Frame and Cover	16	EA.	_____	_____
10.	Stabilization Stone	35	Tons	_____	_____
11.	Rock Blasting and Excavation (Includes PS "C")	270	C.Y.	_____	_____
12.	Uncased Bore	115	L.F.	_____	_____
FORCE MAIN SYSTEM					
13.	8" PC 150 C909 PVCO (FM) (Labor Only)	11,172	L.F.	_____	_____
14.	8" PC 350 Rest. Jt. DIP (In Casing) (SewperCoat) (FM) (Labor Only)	820	L.F.	_____	_____
15.	8" PC 350 Rest. Jt. DIP (SewperCoat) (FM) (Labor Only)	650	L.F.	_____	_____
16.	8" DR 11 DIPS HDPE Horizontal Directional Drilling (Sta. 120+78 to Sta. 123+18)	240	L.F.	_____	_____
17.	16" Welded Steel Casing (Jack & Bore/Open Trench)	820	L.F.	_____	_____
18.	Air Release/Vacuum Valve w/ Manhole	6	EA.	_____	_____
19.	Cast Iron Specials	2.60	Tons	_____	_____
20.	Rock Blasting and Excavation	640	C.Y.	_____	_____
21.	Stabilization Stone	150	Tons	_____	_____
22.	Pressure Testing	12,882	L.F.	_____	_____
23.	Uncased Bore	701	L.F.	_____	_____
WATER SYSTEM					
24.	1" Type "K" Copper Service Line	212	L.F.	_____	_____
25.	2" PVC Casing (HDD)	200	L.F.	_____	_____

Item No.	DESCRIPTION	ESTIMATED QUANTITY	UNIT OF MEASURE	UNIT PRICE	TOTAL PRICE
MISCELLANEOUS					
26.	Remove and Replace Fencing (All Types)	100	L.F.	_____	_____
27.	Remove/Replace Asphalt or Concrete Pavement or Conc. Flume	160	L.F.	_____	_____
28.	Inlet Sediment Traps (Sd2-F and Sd2-P)	5	EA.	_____	_____
29.	Stone Check Dam (Cd-S)	15	EA.	_____	_____
30.	Hay Bale Check Dam (Cd-Hb)	8	EA.	_____	_____
31.	Channel Stabilization (Ch-Rp)	100	Tons	_____	_____
32.	Construction Exit (Co)	1	EA.	_____	_____
33.	Grassing, Sodding, Planting and Mulching (Ds1, Ds2, Ds3 & Ds4)	15,280	L.F.	_____	_____
34.	Erosion Control Matting and Blankets (Mb)	4,900	S.Y.	_____	_____
35.	Silt Fence Type "A" (Sd1)	6,450	L.F.	_____	_____
36.	Silt Fence Type "C" (Sd1)	850	L.F.	_____	_____
37.	Hay Bale (Sd1-Hb)	30	EA.	_____	_____
38.	Storm Outlet Protection (St)	15	Tons	_____	_____
39.	Automatic Storm Water Sampler for NPDES	4	EA.	_____	_____
40.	Monitoring, Record Keeping & Reporting for NPDES	1	L.S.	_____	_____

TOTAL ALTERNATE BID No. 1 _____
In Figures

In Words

UNIT PRICE ALTERNATE BID No. 2 – PIPE ONLY PROPOSAL
SR 34 Sewer System Extension - Phase II

Item No.	DESCRIPTION	ESTIMATED QUANTITY	UNIT OF MEASURE	UNIT PRICE	TOTAL PRICE
GRAVITY SEWER SYSTEM					
1.	10" SDR 26 PVC (Pipe Only)				
a.	0'-6' Depth	709	L.F.	_____	_____
b.	6'-8' Depth	585	L.F.	_____	_____
c.	8'-10' Depth	626	L.F.	_____	_____
d.	10'-12' Depth	708	L.F.	_____	_____
e.	12'-14' Depth	194	L.F.	_____	_____
2.	10" PC 350 DIP (SewperCoat) (Pipe Only)				
a.	8'-10' Depth	74	L.F.	_____	_____
b.	14'-16' Depth	131	L.F.	_____	_____
c.	16'-18' Depth	39	L.F.	_____	_____
3.	10" PC 350 Rest. Jt. DIP (In Casing) (SewperCoat) (Pipe Only)	480	L.F.	_____	_____
4.	10" PC 350 Rest. Jt. DIP (SewperCoat) (Pipe Only)				
a.	6'-8' Depth	23	L.F.	_____	_____
b.	8'-10' Depth	78	L.F.	_____	_____
c.	10'-12' Depth	29	L.F.	_____	_____

Item No.	DESCRIPTION	ESTIMATED QUANTITY	UNIT OF MEASURE	UNIT PRICE	TOTAL PRICE
FORCE MAIN SYSTEM					
13.	8" PC 150 C909 PVCO (FM) (Pipe Only)	11,172	L.F.		
14.	8" PC 350 Rest. Jt. DIP (In Casing) (SewperCoat) (FM) (Pipe Only)	820	L.F.		
15.	8" PC 350 Rest. Jt. DIP (SewperCoat) (FM) (Pipe Only)	650	L.F.		
16a	8" DR 11 DIPS HDPE (FM) (Pipe Only)	1,740	L.F.		

TOTAL ALTERNATE BID No. 2 - Pipe Only _____
In Figures

In Words

(**Pipe Only) - Price Authority pays for Pipe
(Authority is Tax Exempt)

Alternate Bid 2a Force Main System for Item No. 13

Item No.	DESCRIPTION	ESTIMATED QUANTITY	UNIT OF MEASURE	UNIT PRICE	TOTAL PRICE
FORCE MAIN SYSTEM					
13.	8" C900 DR 18 PVC Force Main (**Pipe Only)	11,172	L.F.		

TOTAL ALTERNATE BID No. 2a - Pipe Only _____

Exclude Item No. 13 from the Alternate Bid No. 2 and add
Item No. 13 from Alternate Bid 2a for new total. In Figures

In Words

(**Pipe Only) - Price Authority pays for Pipe
(Authority is Tax Exempt)

ALTERNATE BID No. 3 (OWNER PURCHASED PUMPS) PROPOSAL
SR 34 Sewer System Extension - Phase II

The Bidder agrees to furnish all labor, material, and equipment necessary to construct Pump Station "C" complete as described in Section 01200, as specified within these contract documents, technical specifications and as shown on the construction drawings. The two (2) Flygt Model NP-3202.181 60 hp, 460v, 3ph pumps will be purchased by the Owner; however, the Bidder is responsible for pick-up from the Owner and installation of the pumps (See Attachment A "Owner Purchased Equipment" at the end of Section 11310).

Item No.	DESCRIPTION	ESTIMATED QUANTITY	UNIT OF MEASURE	UNIT PRICE	TOTAL PRICE
GRAVITY SEWER SYSTEM					
41.	Pump Station "C" - Complete as shown (Owner Purchased Pumps)	1	L.S.		

TOTAL ALTERNATE BID No. 3 _____
In Figures

In Words

ARTICLE 6 – TIME OF COMPLETION

- 6.01 Bidder agrees that the Work will be Substantially Complete in accordance with Paragraph 14.04 of the General Conditions, and will be Final Complete and ready for final payment in accordance with Paragraph 14.07 of the General Conditions on or before the date indicated in the Agreement.
- 6.02 Bidder accepts the provisions of the Agreement as to liquidated damages in the event of failure to complete the Work within the Contract Time.

ARTICLE 7 – ATTACHMENTS TO THIS BID

- 7.01 The following documents are attached to and made a condition of this Bid:
 - A. Bid Bond – Section 00430.
 - B. Form of Qualification of Bidder – Section 00450.
 - C. Affidavit of Non-Collusion – Section 00480.
 - D. Immigration and Security Form – Section 00490.

ARTICLE 8 – DEFINED TERMS

- 8.01 The terms used in this Bid with initial capital letters have the meanings stated in the Instructions to Bidders, the General Conditions, and the Supplementary Conditions.

ARTICLE 9 – BID SUBMITTAL

- 9.01 This Bid submitted by:

If Bidder is:

An Individual

Name (typed or printed): _____

By: _____
(Individual’s signature)

A Partnership

Partnership Name (typed or printed): _____

By: _____
(Signature of general partner -- attach evidence of authority to sign)

Name (typed or printed): _____

A Corporation

Corporation Name: _____

State of Incorporation: _____

By: _____
(Signature -- attach evidence of authority to sign)

Name (typed or printed): _____

Title: _____
(CORPORATE SEAL)

Attest _____

Date of Authorization to do business in the state of Georgia is ___/___/___

END OF SECTION

ADDENDUM No. 2

**COWETA COUNTY WATER & SEWERAGE AUTHORITY
S.R. 34 SEWER SYSTEM EXTENSION – PHASE II
COWETA COUNTY, GEORGIA**

BID DATE: NOVEMBER 3, 2009

TIME: 2:00 P.M.

Date: October 29, 2009

PLEASE MAKE THE FOLLOWING CHANGES TO THE CONTRACT DOCUMENTS AND CONTRACT DRAWINGS:

Change the Standard Manhole Frame and Cover to East Jordan Iron Works Inc. Frame and Cover. See attached Heavy Duty Cover. Contractor's bid for "Standard Manhole Frame and Cover" shall reflect the attached cover. Frame is not shown.

END OF ADDENDUM No. 2

EJIW EAST JORDAN
 IRON WORKS EST. 1883
 800-626-4653
 www.ejiw.com
 MADE IN USA

PRODUCT NUMBER
NCR08-667A

CATALOG NUMBER
V1480-4

MANHOLE COVER
 LOAD RATING
HEAVY DUTY

COATING
UNDIPPED

ESTIMATED WEIGHT
 COVER: 125 LBS

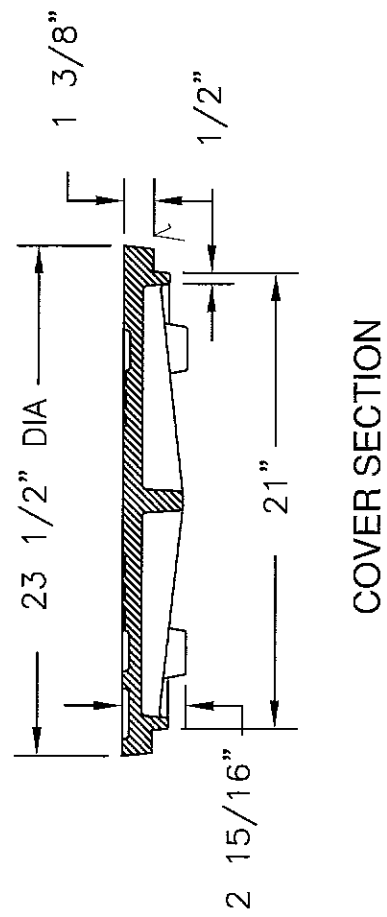
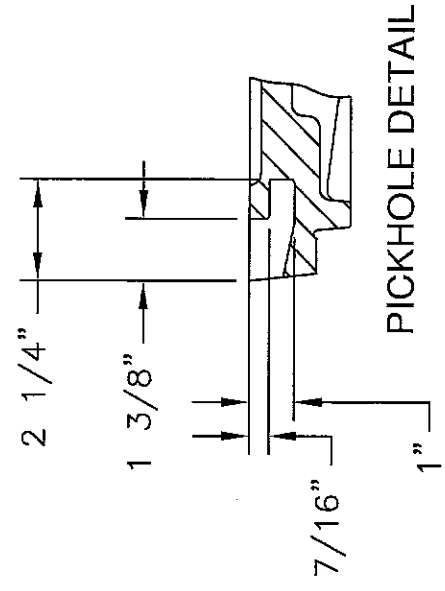
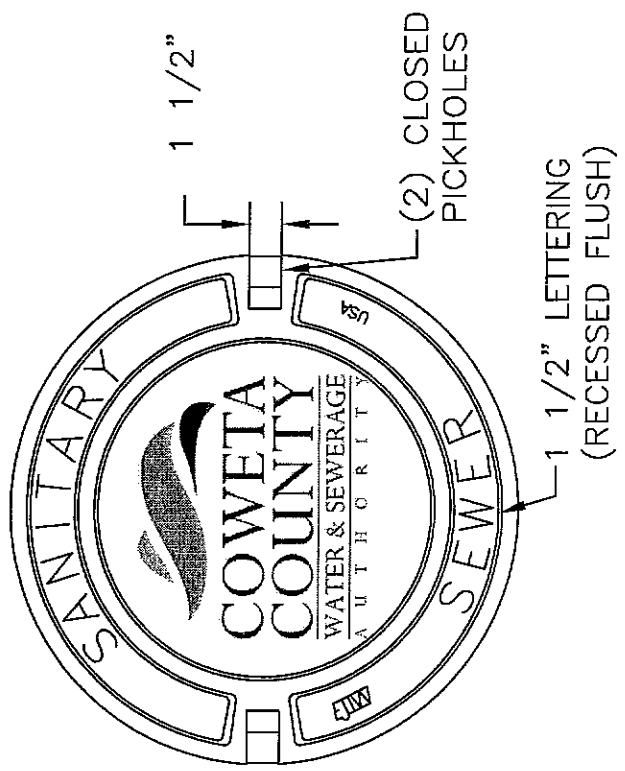
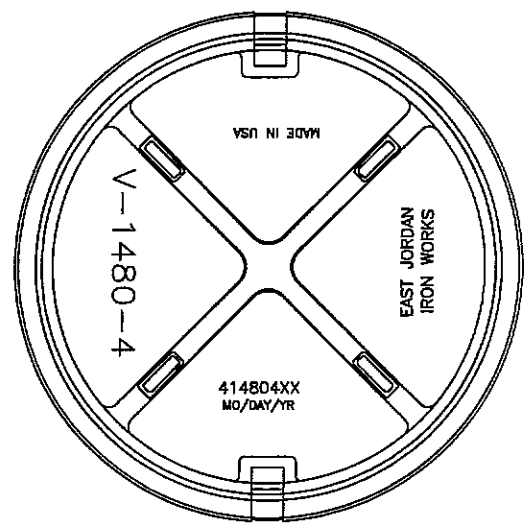
MATERIAL SPECIFICATION
 COVER - GRAY IRON
 ASTM A48 CL35B

OPEN AREA
 N/A

DESIGNATES MACHINED SURFACE

DRAWN	DATE
GAD	03/31/08
LAST REVISED	DATE

REFERENCE INFORMATION
 41480430.2C
 41480430.1D
 414804XX.LO



CONFIDENTIAL: This drawing is the property of East Jordan Iron Works, Inc. and embodies confidential information, trade secret information, and/or know how that is the property of East Jordan Iron Works, Inc. © Copyright 2007 East Jordan Iron Works, Inc.